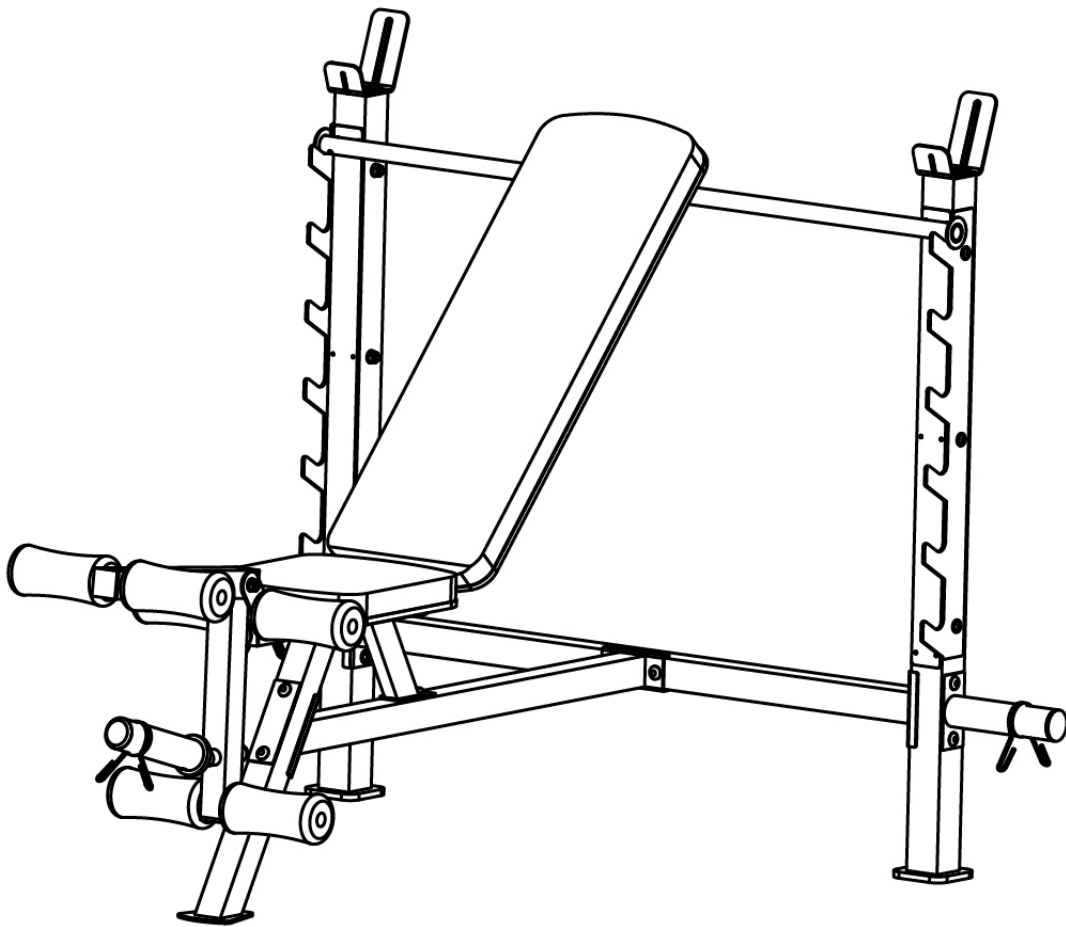


MARCY[®]

OLYMPIC BENCH

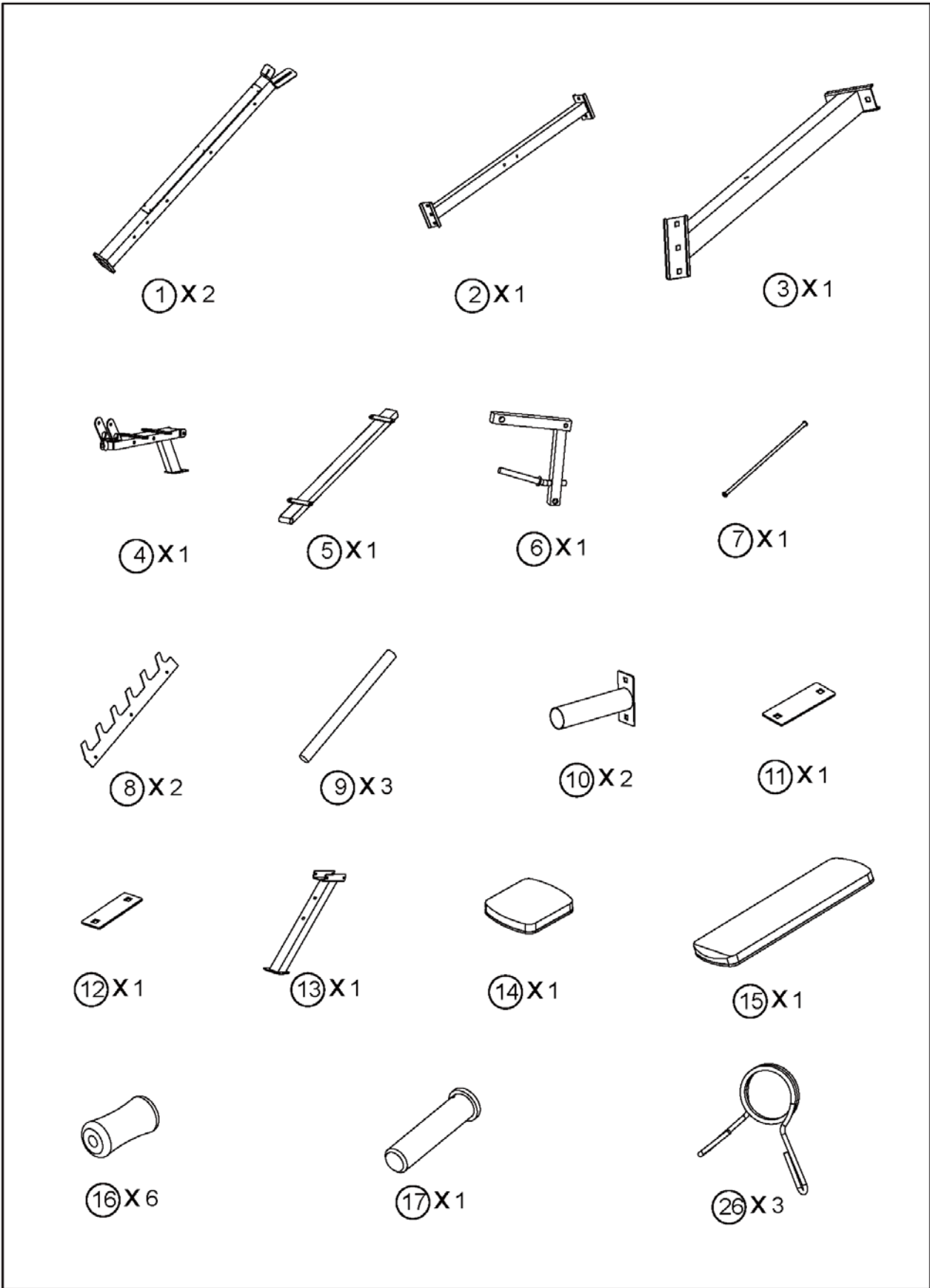
MWB-5146

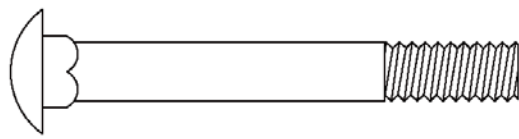


IMPORTANT: Please read the Important Safety Notice and Assembly Information in the Owner's manual before assembling this product.

Assembly Manual

180501

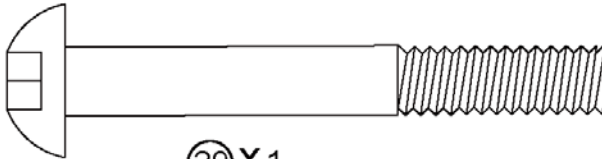




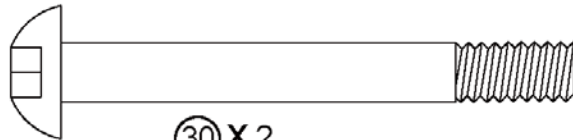
27 X 4



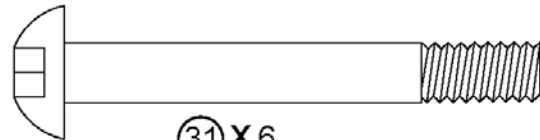
28 X 4



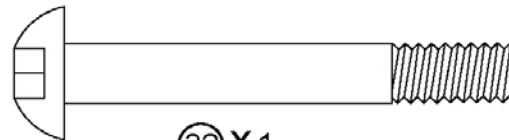
29 X 1



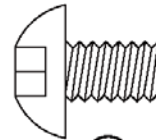
30 X 2



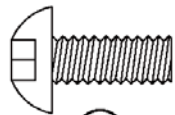
31 X 6



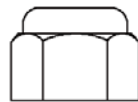
32 X 1



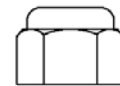
33 X 3



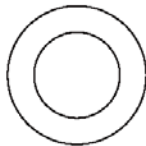
34 X 8



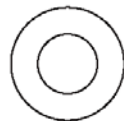
36 X 1



37 X 17



38 X 2

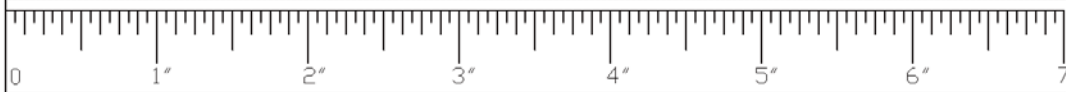
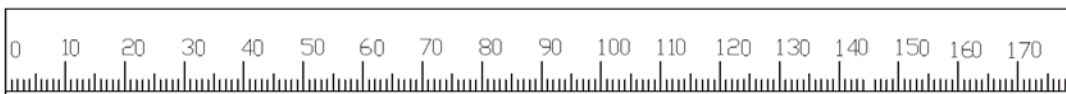


39 X 29

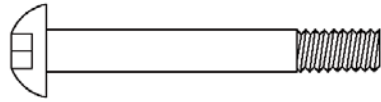


40 X 8

mm



(31) X 6



M10 x 3 $\frac{1}{8}$ "

(37) X 6

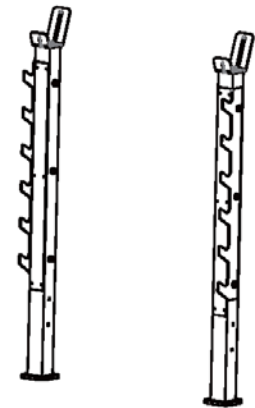
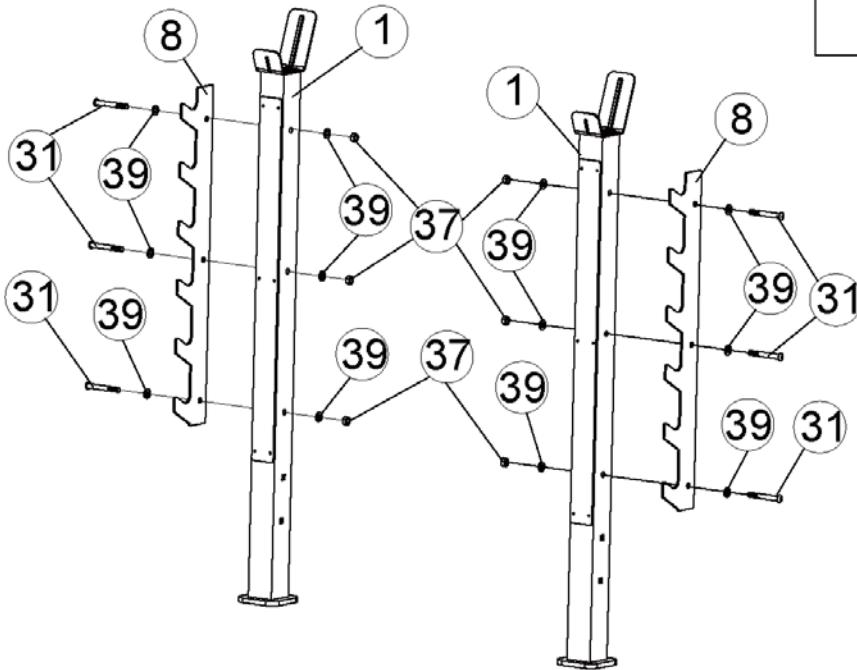


M10

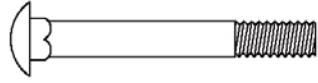
(39) X 12



Ø $\frac{3}{4}$ "



(27) X 4



M10 x 3 1/8"

(37) X 4

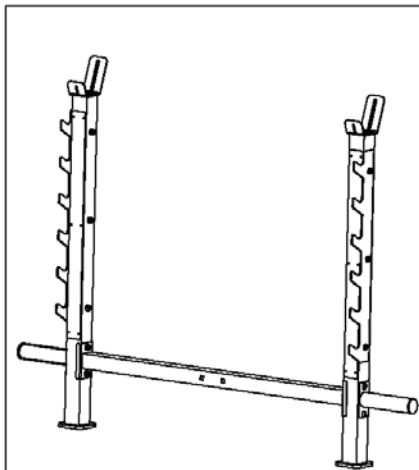
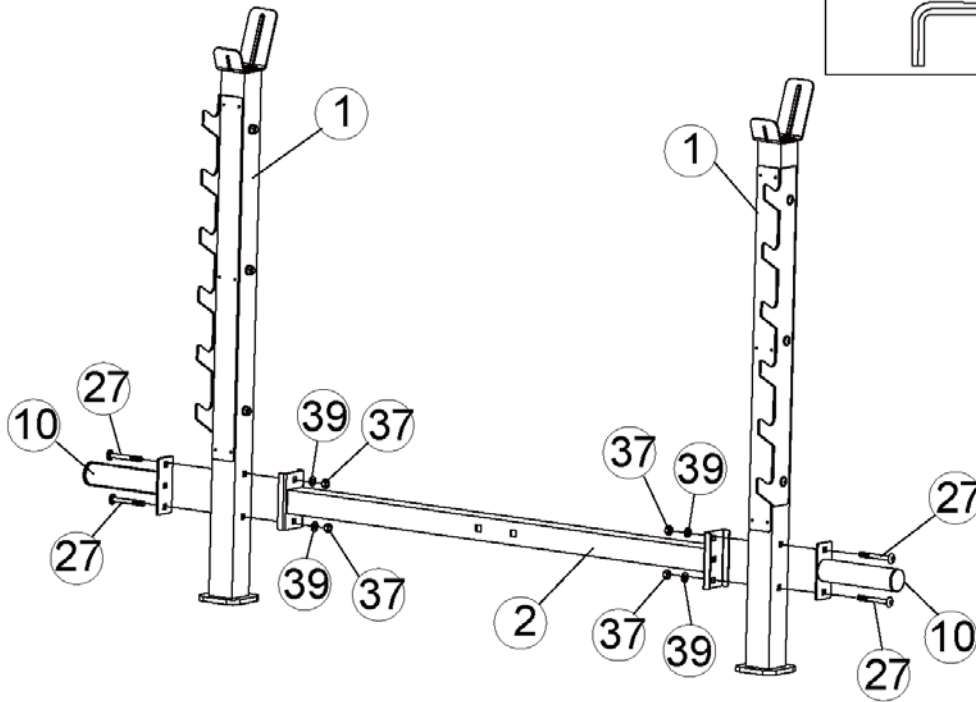


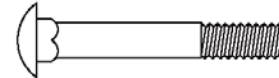
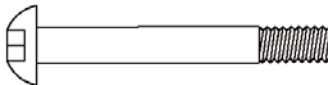


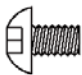
M10

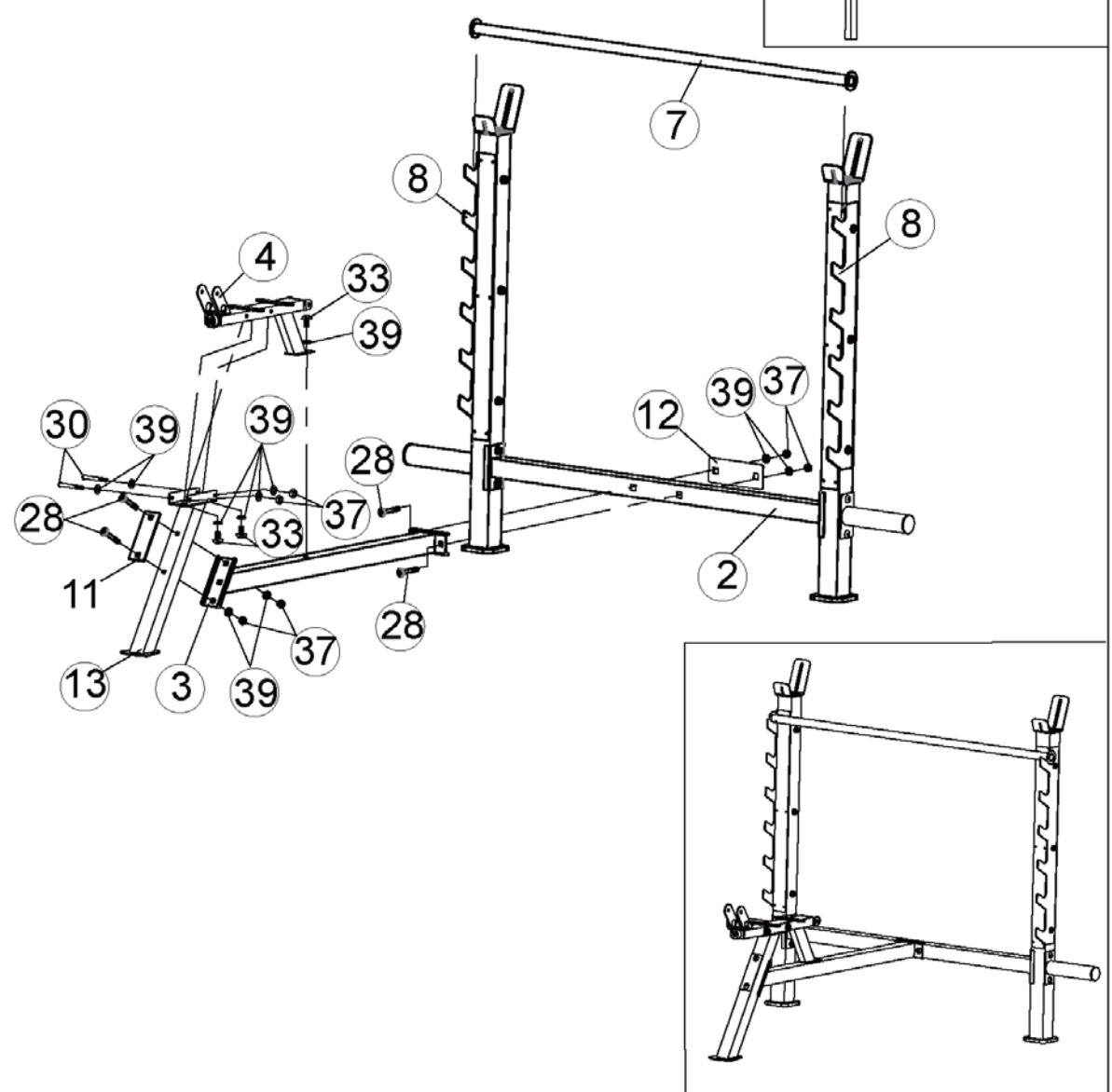
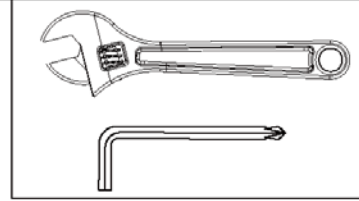
(39) X 4

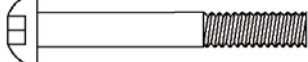
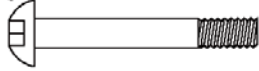
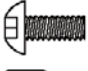







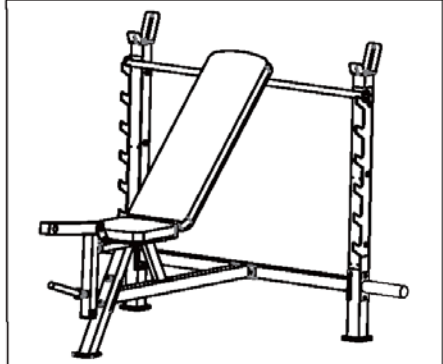
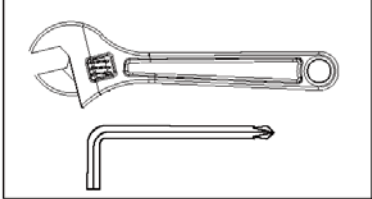
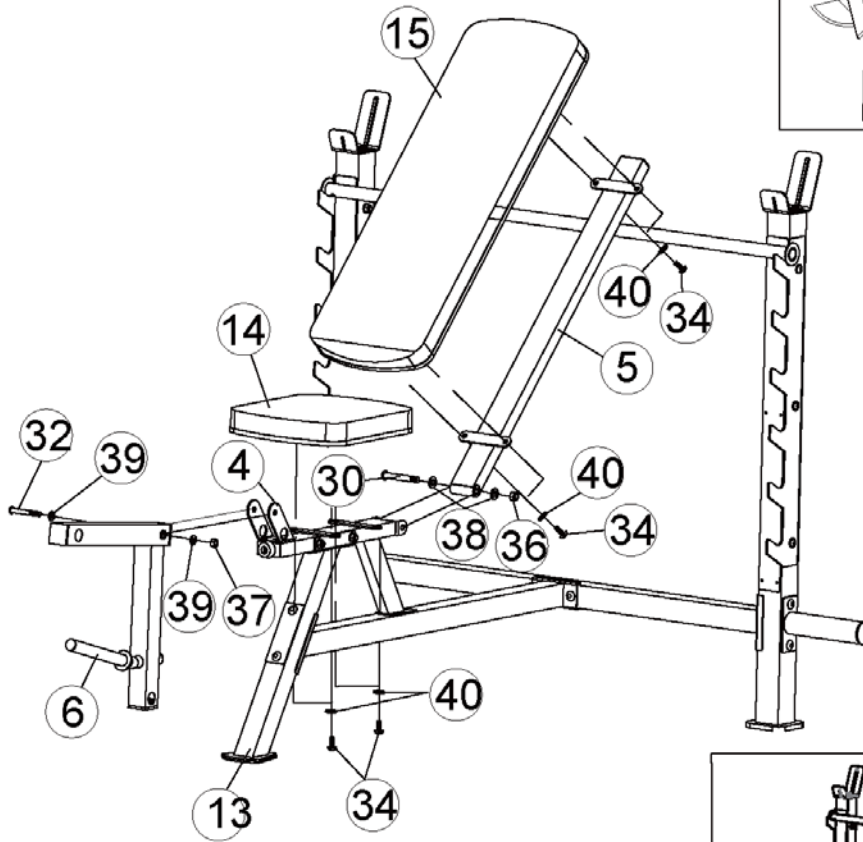
Ø 3/4"

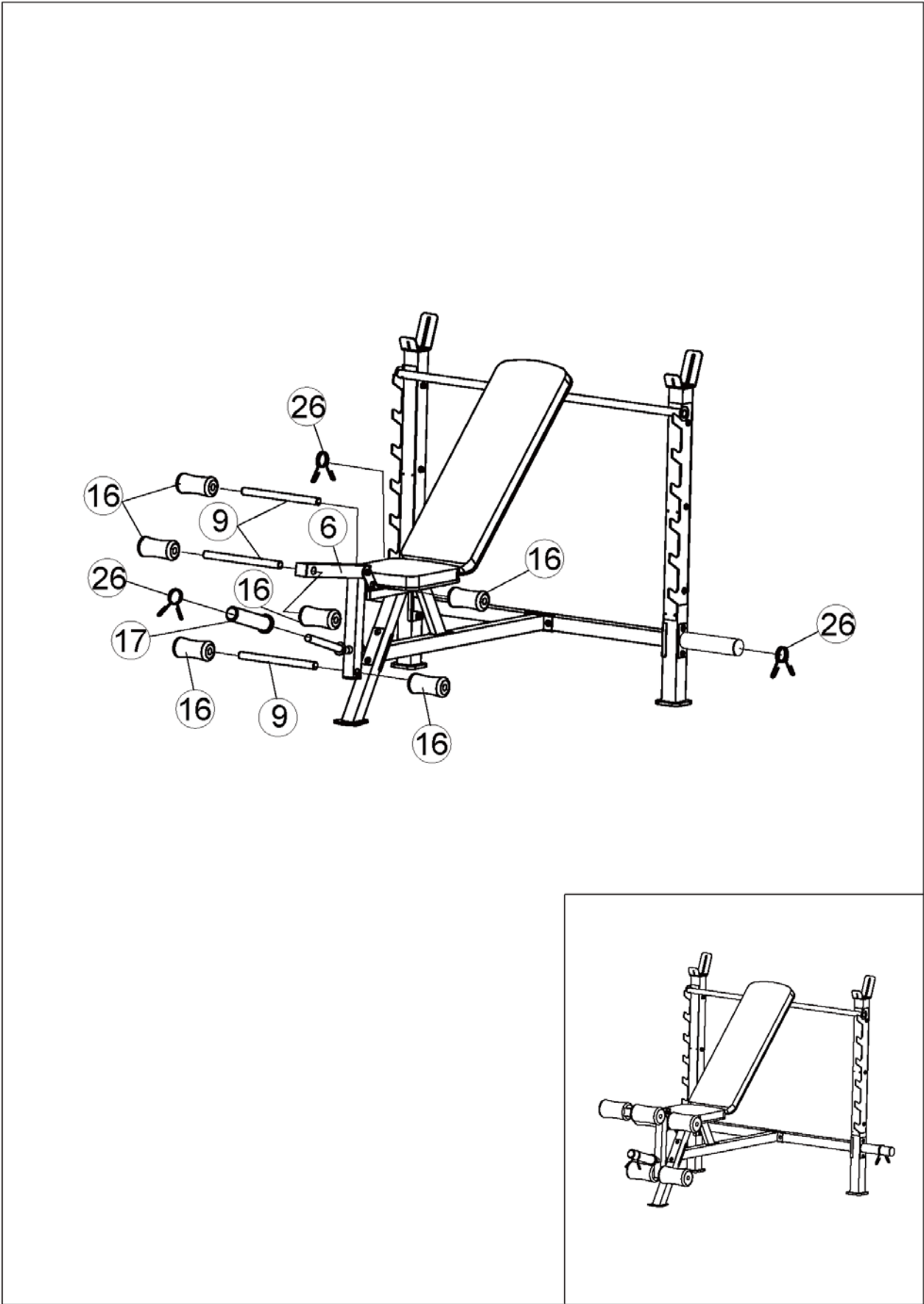


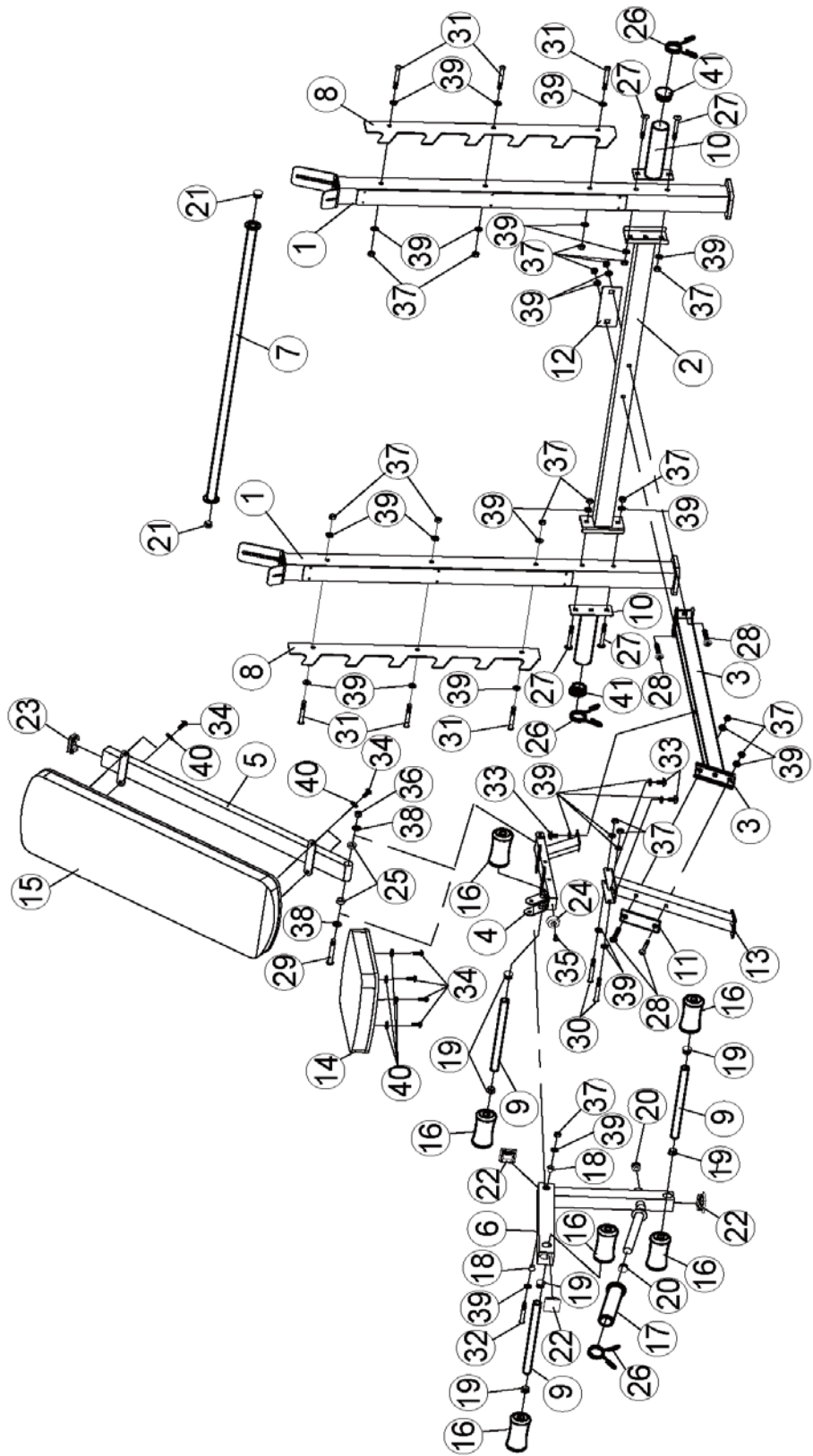
(28) X 4		M10 x 2 $\frac{3}{4}$ "
(30) X 2		M10 x 3 $\frac{1}{2}$ "
(37) X 6		M10
(39) X 11		Ø $\frac{3}{4}$ "
(33) X 3		M10 x $\frac{5}{8}$ "



29 X 1		M12 x 3 $\frac{1}{2}$ "
32 X 1		M10 x 3"
34 X 8		M8 x $\frac{3}{4}$ "
36 X 1		M12
37 X 1		M10
38 X 2		Ø 1"
39 X 2		Ø $\frac{3}{4}$ "
40 X 8		Ø $\frac{5}{8}$ "







IMPEX® INC.

2801 S. Towne Ave, Pomona, CA 91766

Tel: (800) 999-8899 Fax: (626) 961-9966

www.marcypro.com

support@impex-fitness.com